

ИНСТРУКЦИЯ ПО МОНТАЖУ

Twins Колонна Makmart Tall Unit

Height:

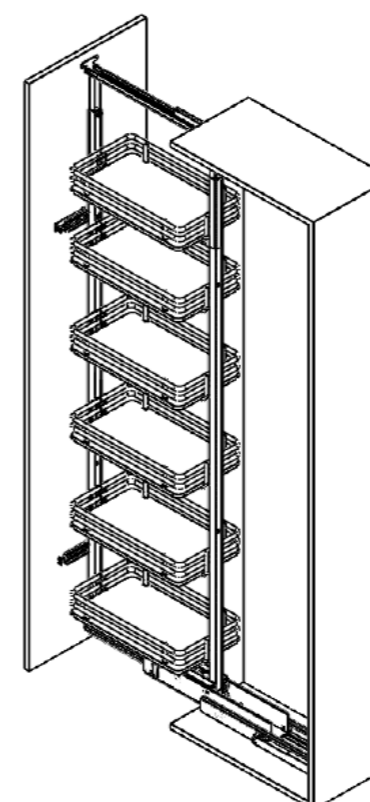
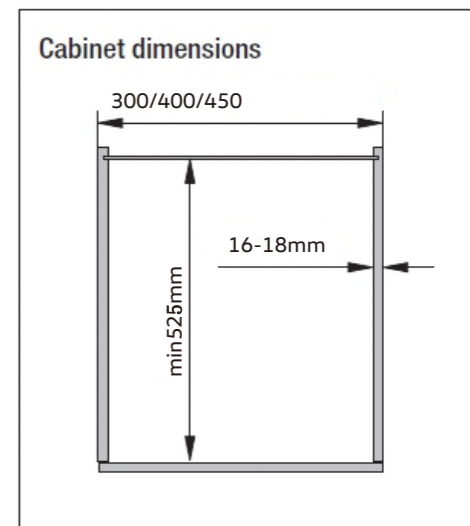
1850-2170mm 6 baskets

Basket Size:

W=Cabinet Size-50mm

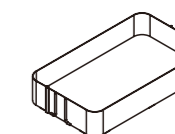
D=426mm

H=80mm

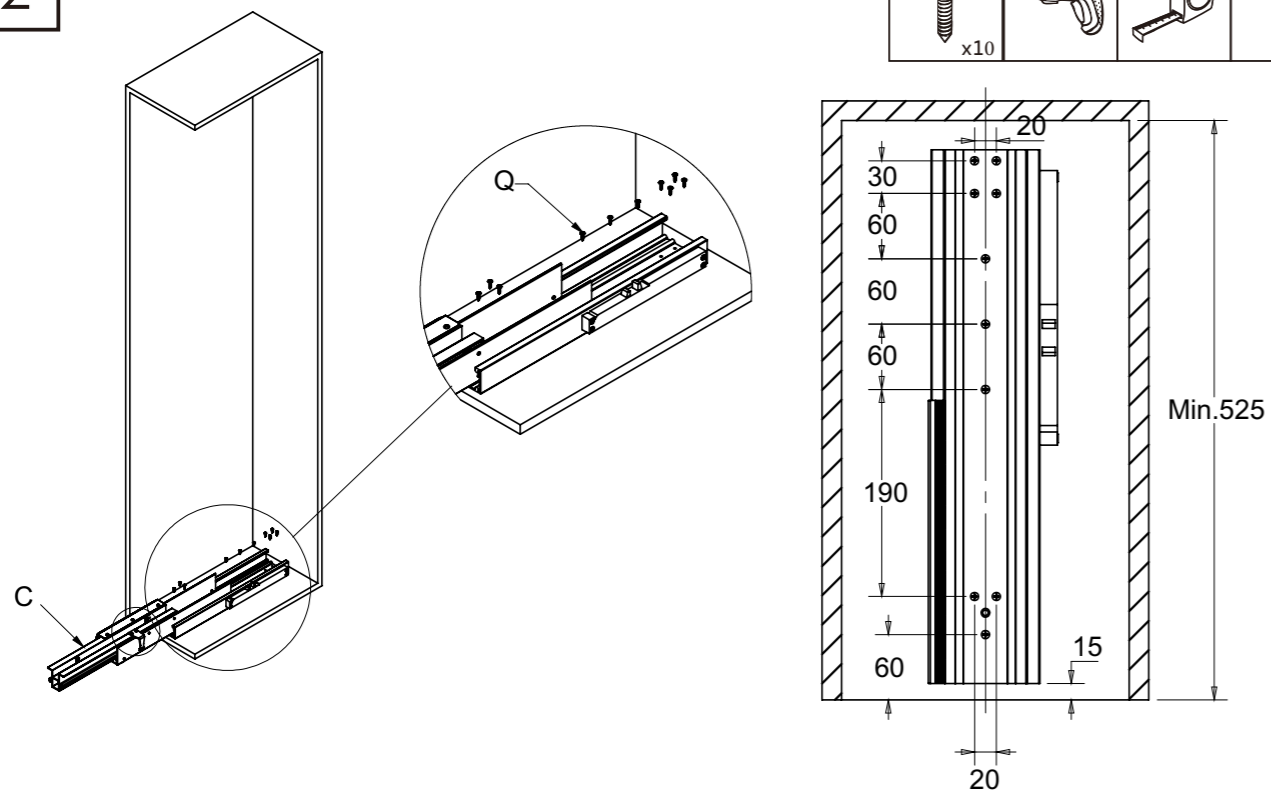
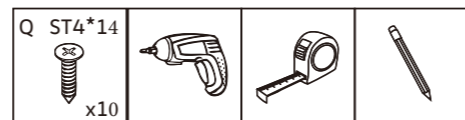


Basket styles:

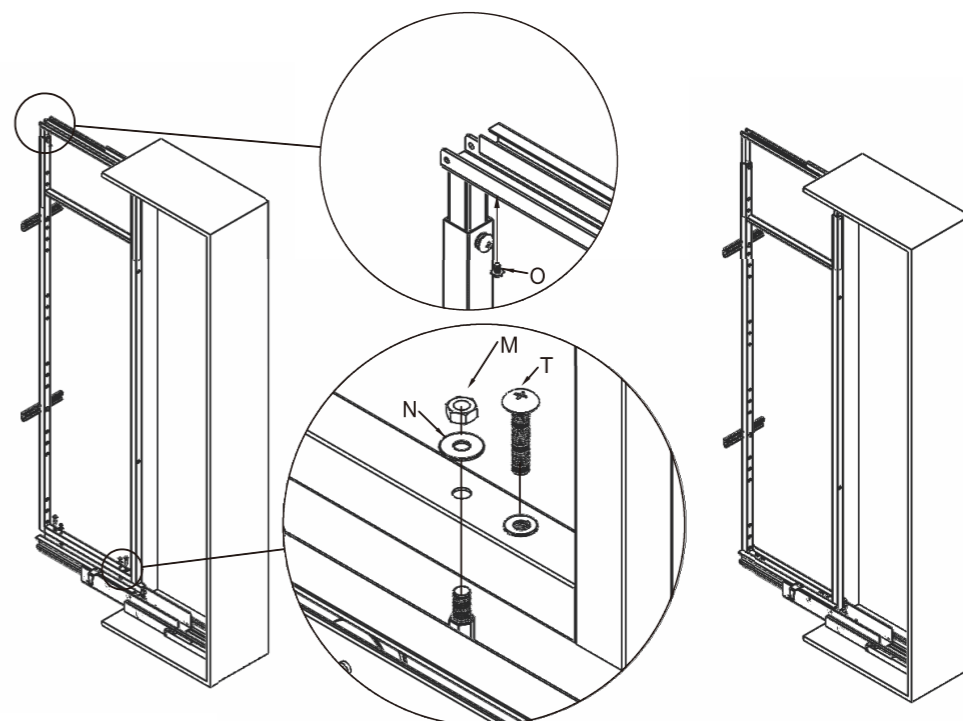
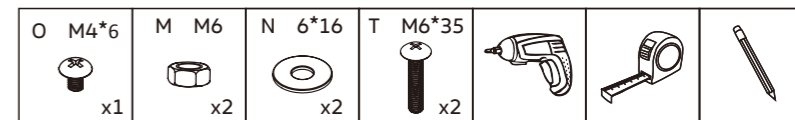
Panel



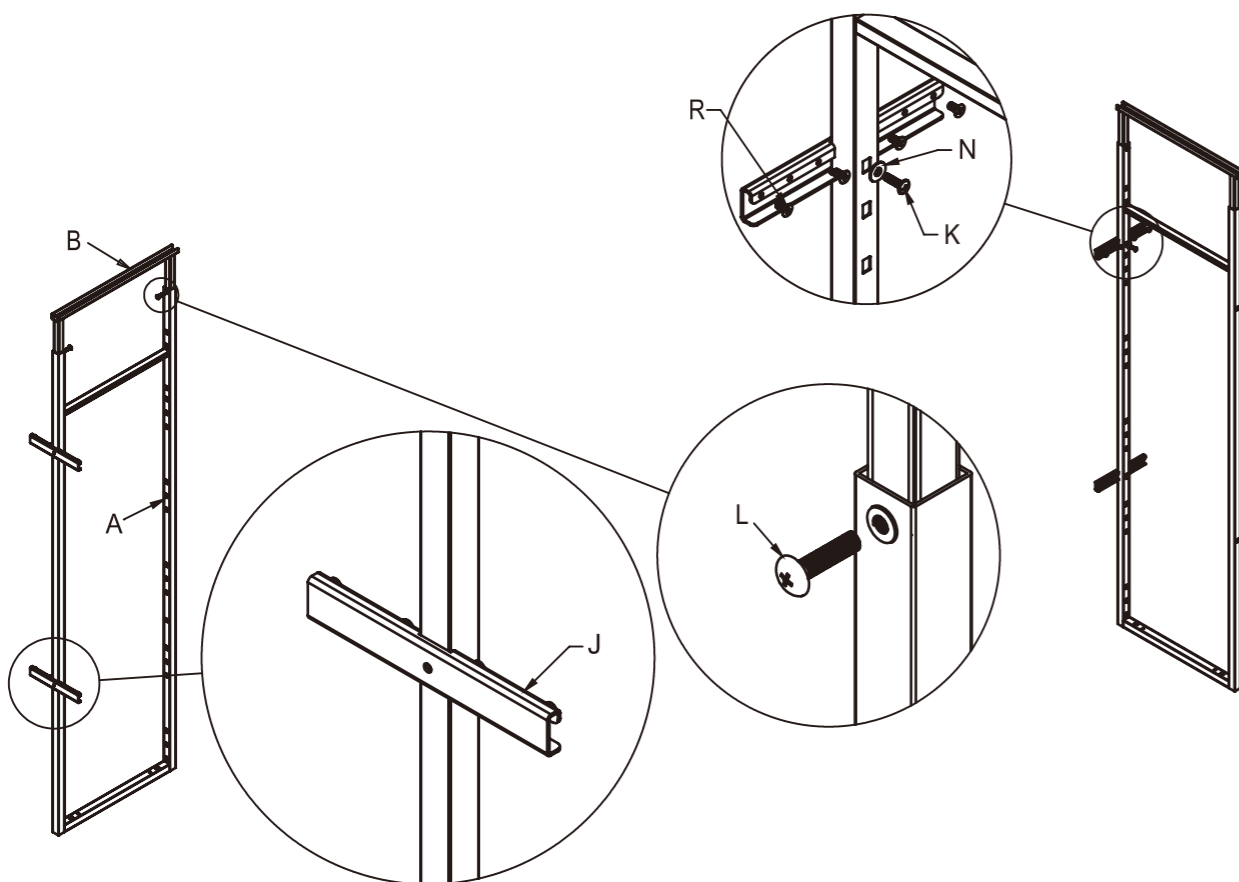
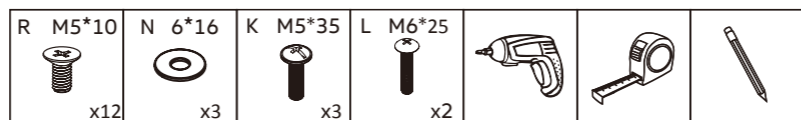
2



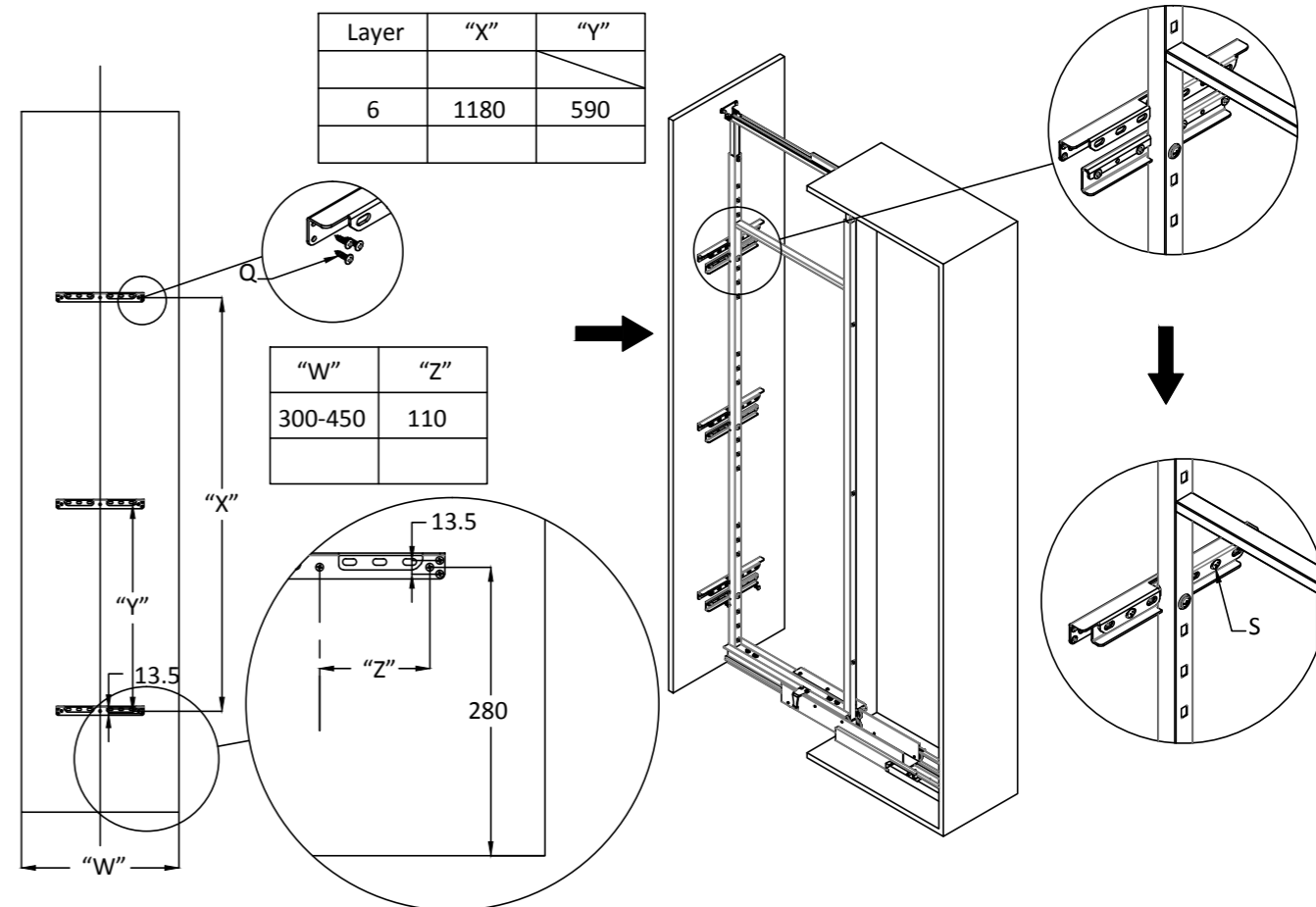
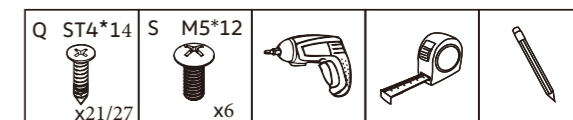
4



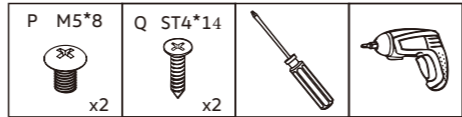
3



5



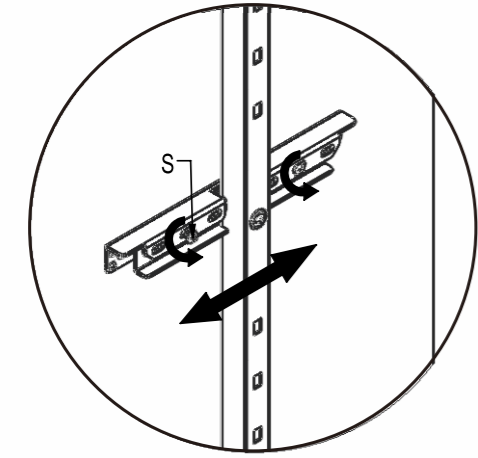
6



① Loosen the part K
Adjust the upper and lower direction of the door plate

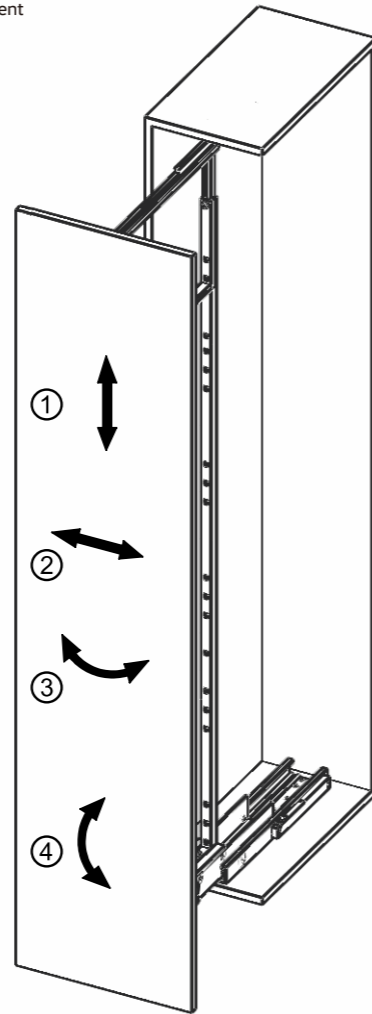
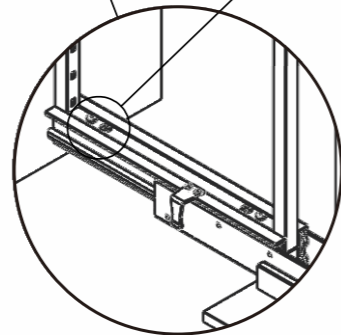
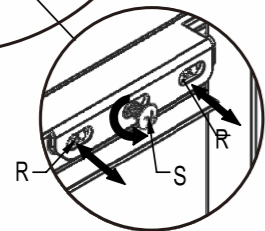
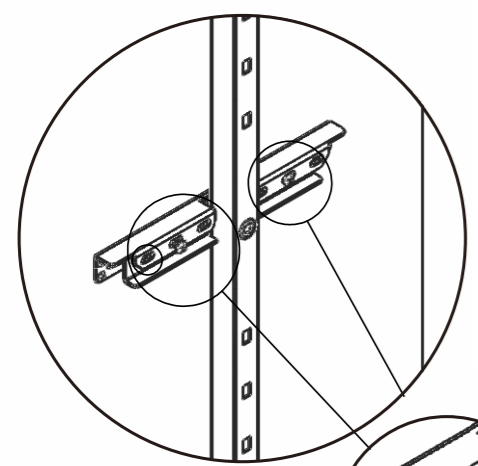
② Lock the part F after adjustment

③ Loosen the part S at the same time
Adjust the left and right direction of the door plate



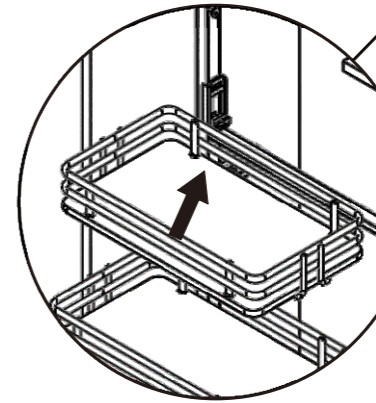
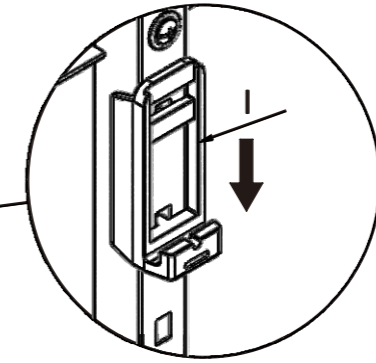
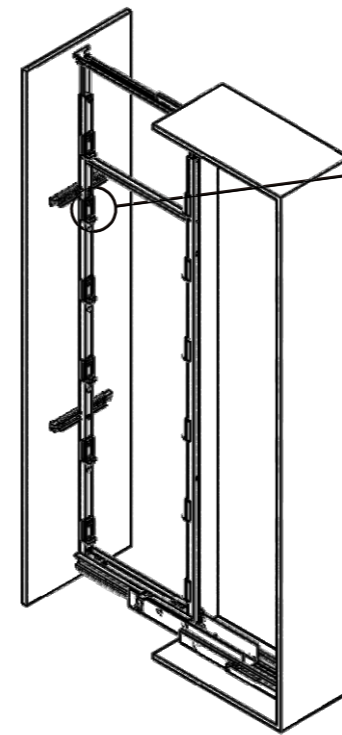
④ Loosen the part S
Adjust the part R to loose
Adjust the left and right perpendicularity of the door panel

⑤ Loosen the part M
Lock the part L
Adjust the front and rear perpendicularity of the door panel



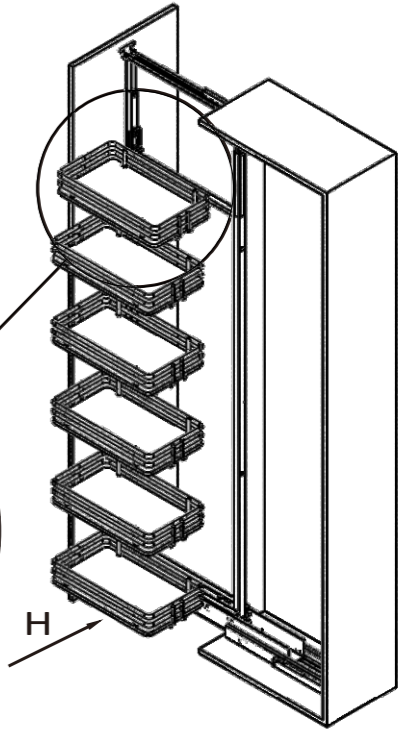
7

Part I fitting:



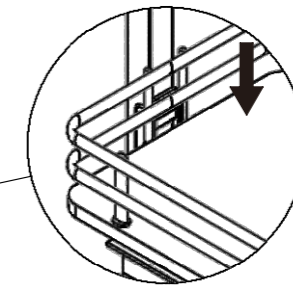
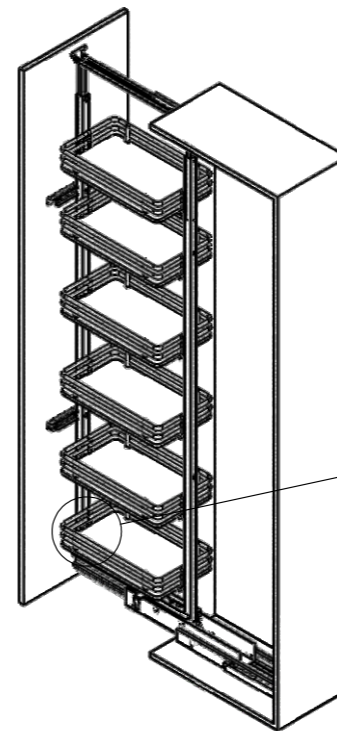
8

Baskets fitting ①



9

Baskets fitting ②



10

Complete installation:

