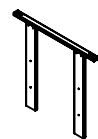
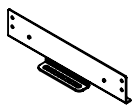


ИНСТРУКЦИЯ ПО МОНТАЖУ МАКМАРТ CORNER PRO

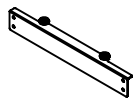
1. Accessories



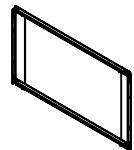
A 2PCS



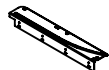
B 1PCS



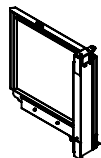
C 1PCS



D 1PCS



E 1PCS



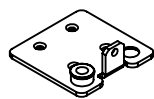
F 1PCS



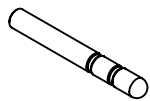
G 1PCS



H 1PCS



I 1PCS



J 1PCS



K 1PCS



(ST4*14)
L 20PCS



(M5*8)
M 2PCS

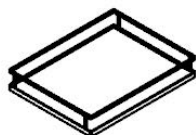
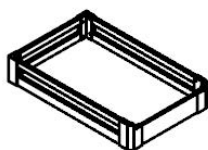


(M5*10)
N 9PCS

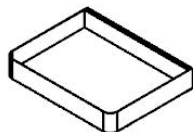


(ST4*16)
O 8PCS

P 2SET



4 PCS



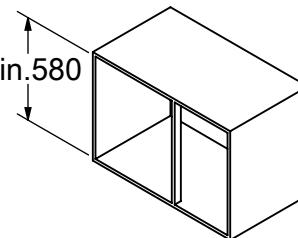
4 PCS

2. Fixing Steps

①

Cabinet Size	Size "X"	Size "Y"
900	864	430

Min.580

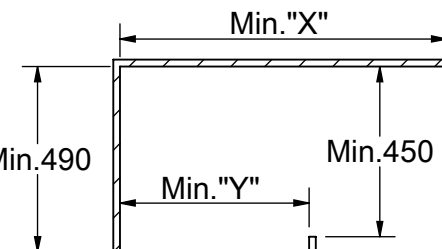


Min.490

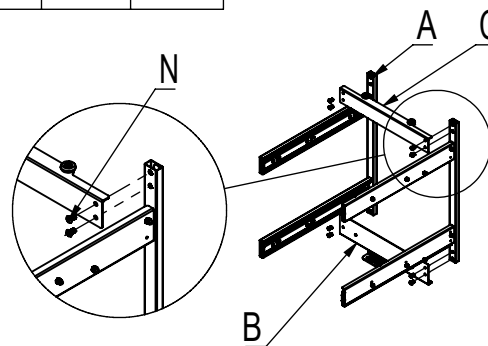
Min."X"

Min."Y"

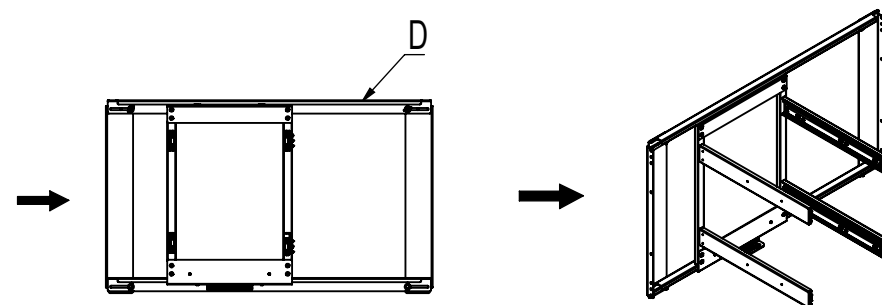
Min.450



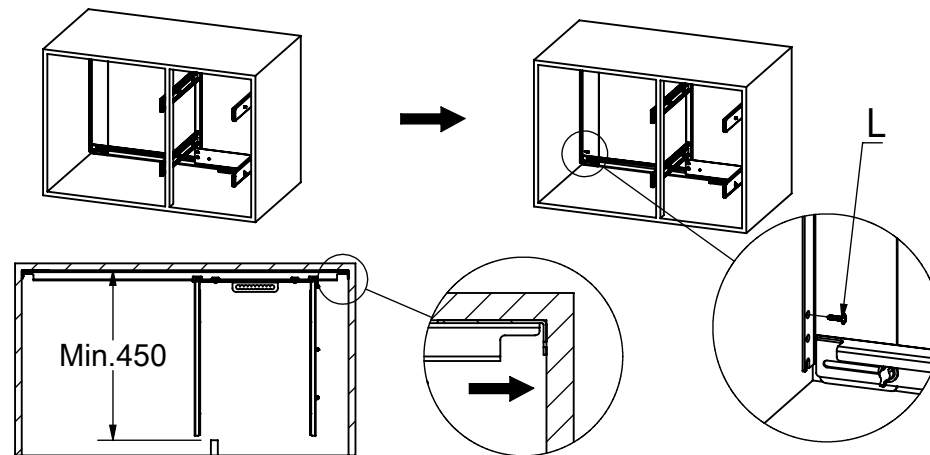
②



③



④



Instruction for Magic Corner (Left Opening)

