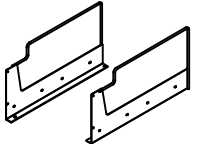
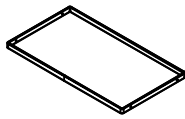
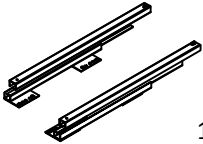
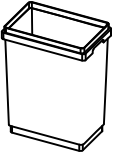

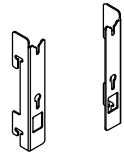
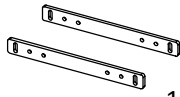



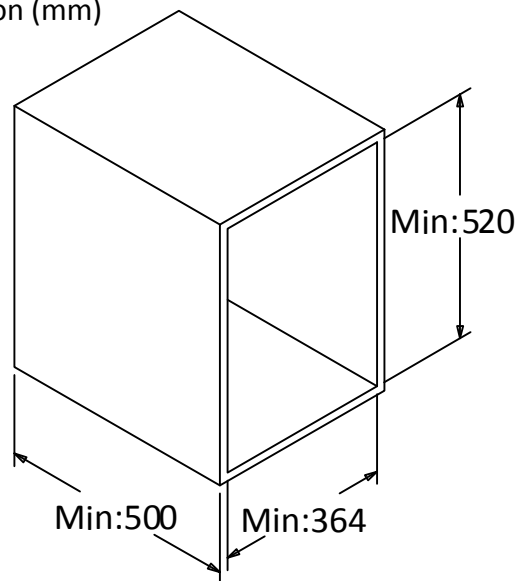


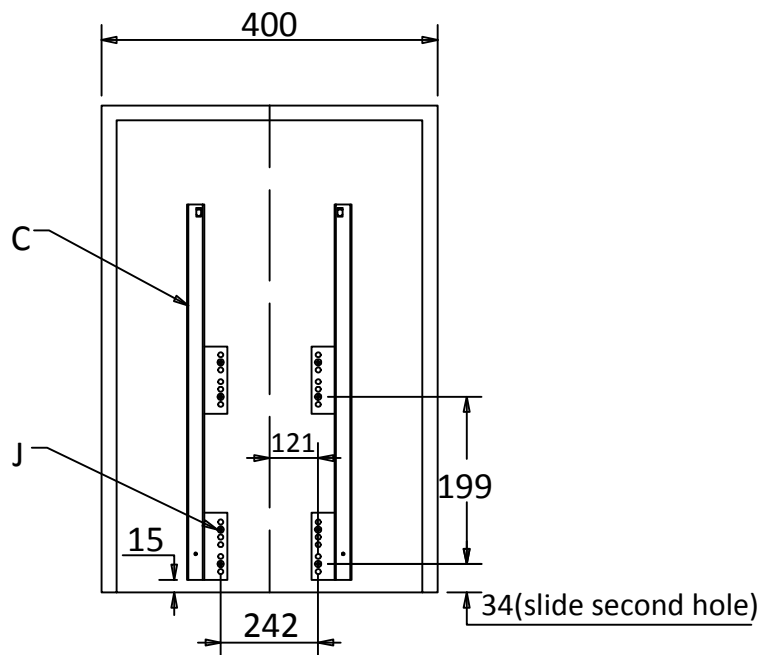
Components	
A	 1pc
B	 2pcs
C	 1pcs
D	 2pcs
E	 1pcs
F	 1pcs
G	 1set
H	 10pcs (M4X6)
I	 8pcs (M5X6)
J	 12pcs (ST4X14)

Cabinet Dimension (mm)

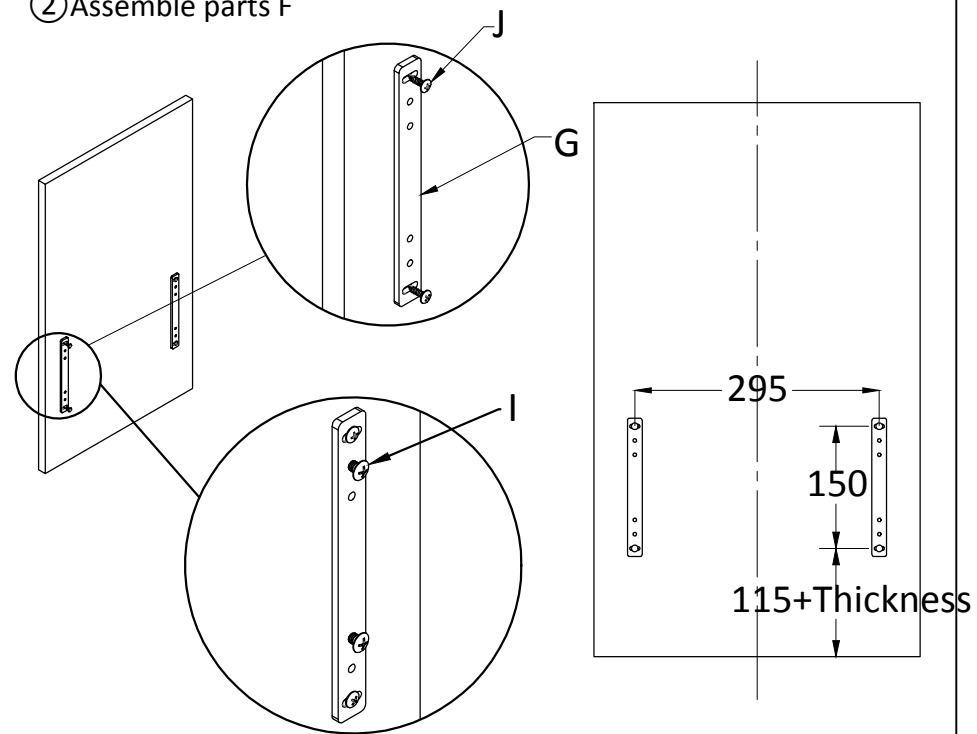


Installation Steps

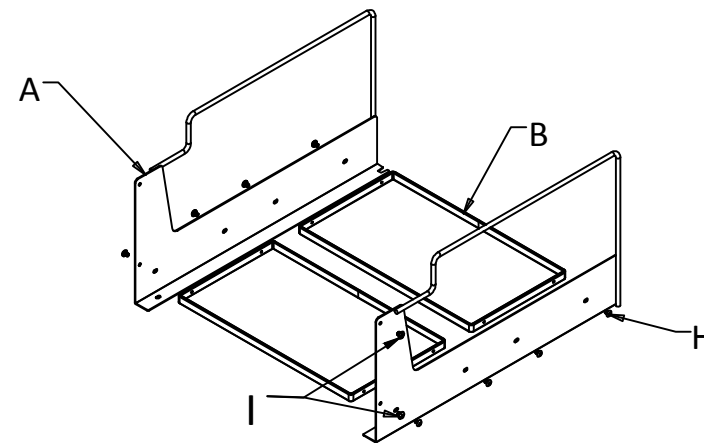
① Assemble parts C



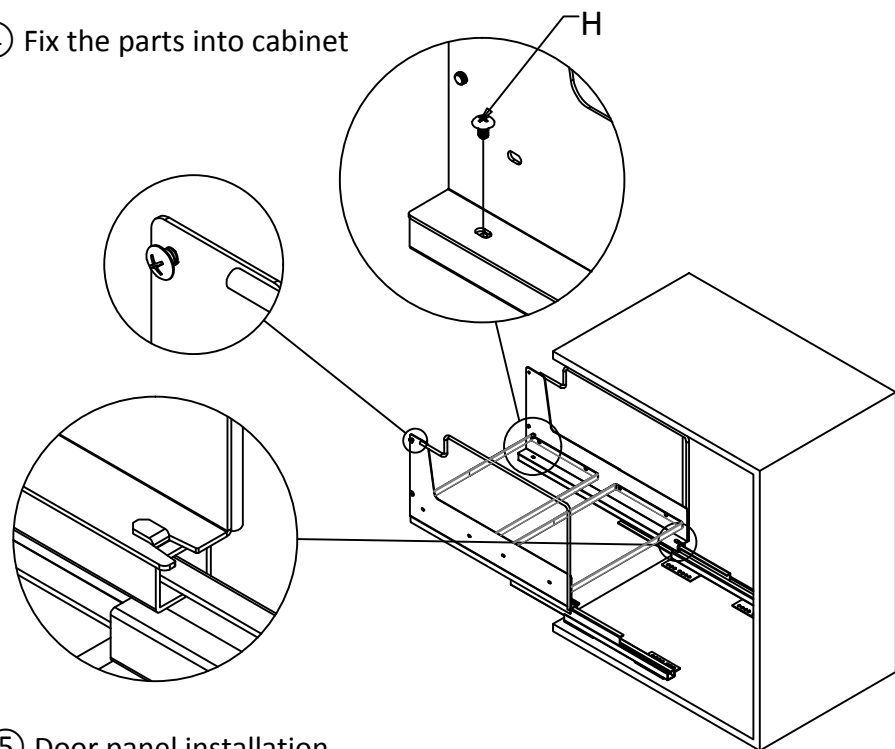
② Assemble parts F



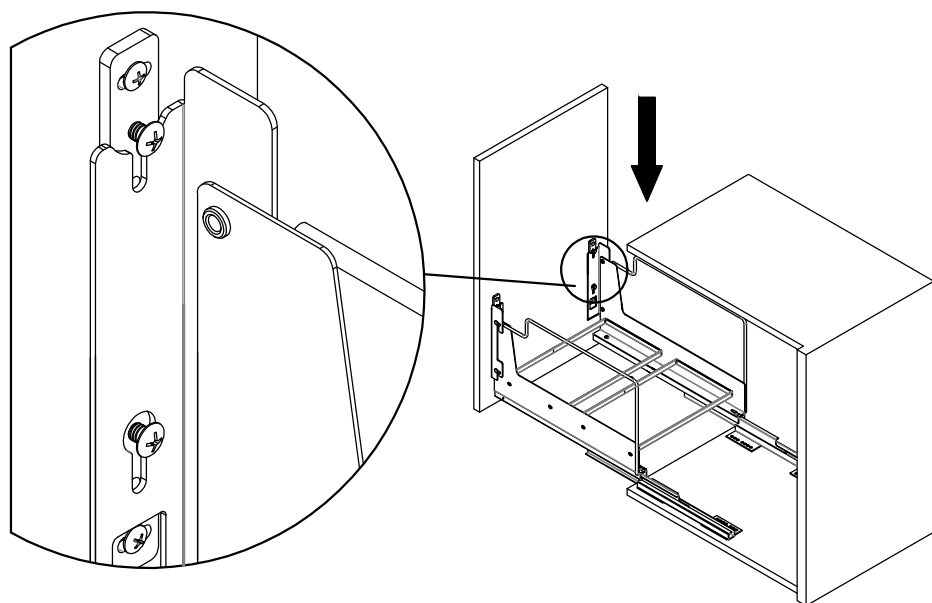
③ Assemble parts A、B



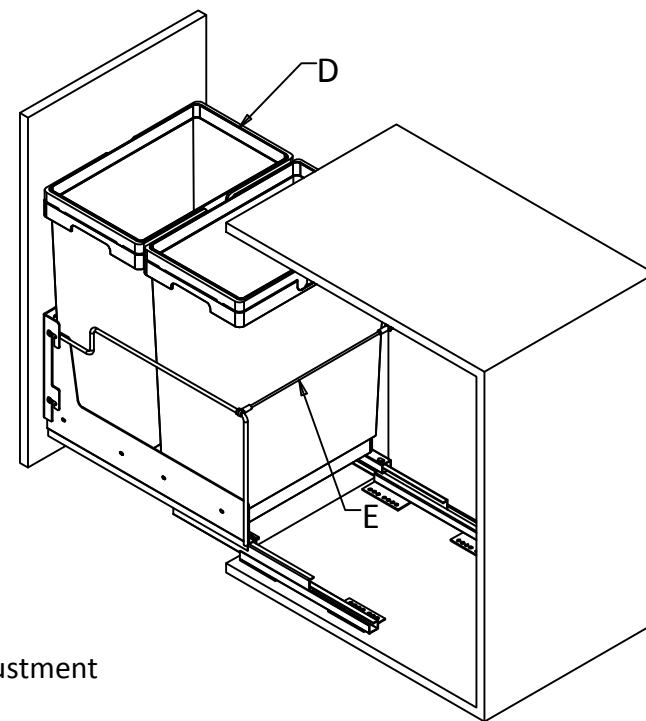
④ Fix the parts into cabinet



⑤ Door panel installation



⑥ Fix the parts D



Door Panel Adjustment

